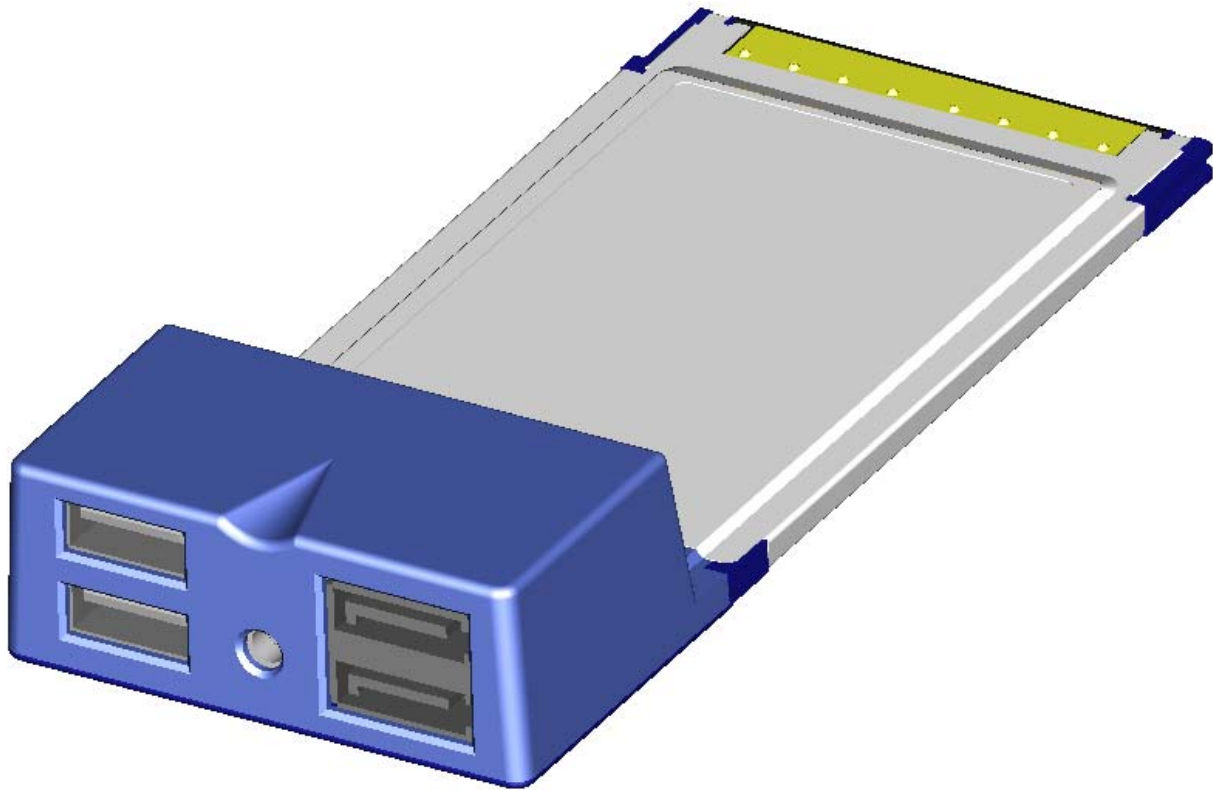




## *Approval Sheet*



Customer : \_\_\_\_\_

Description : PC Card Into USB+ESATA

Project No. : \_\_\_\_\_

Customer No. : \_\_\_\_\_

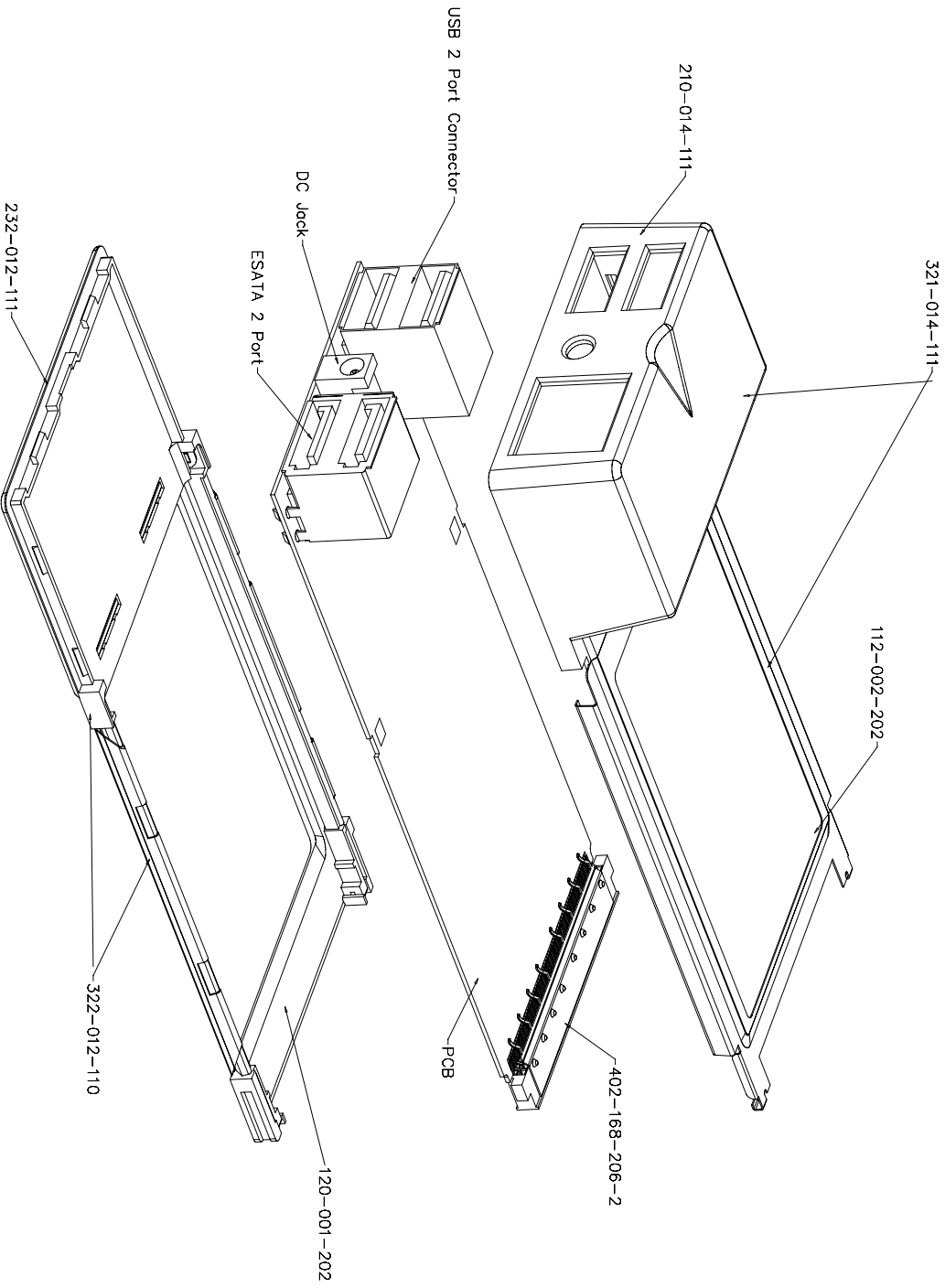
BroadTek No. : 210-014-211

Date. : 2003,12,30

***BroadTek Technology Co., Ltd.***

Tel :886-2-29642625 Fax: 886-2-29642601

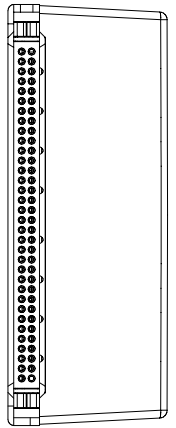
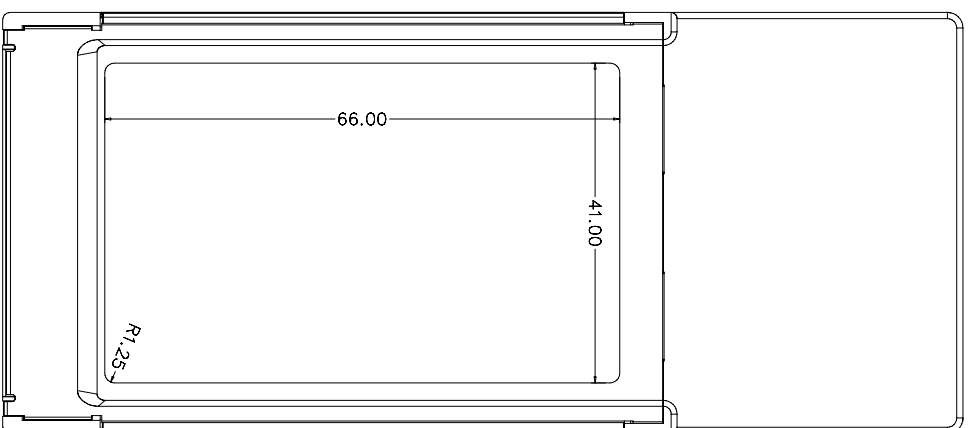
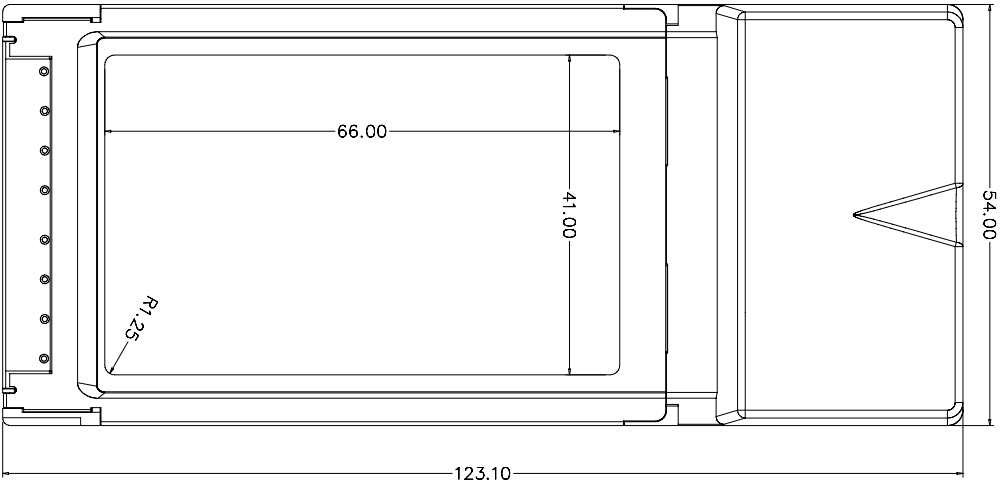
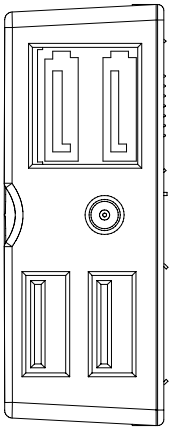
4F.,No.15,Lane 163,Sinyi Rd .,Banciao City,Taipei County 220,Taiwan



— Tolerances —	
Unless Otherwise Specified	
.0	±0.15
.00	±0.10
.000	±0.05
ANGLES	±1°

Engineer:	Drawn:

Title :		Exploding view for component	
Drawing NO.	210-014-211-EXP	Part NO.	
Unit:	mm	Scale:	1:1
Size	A4	Rev.	01
Sheet			



— Tolerances —  
Unless Otherwise Specified

.0	±0.15
.00	±0.10
.000	±0.05
ANGLES	±1°



Approved:	Checked:
Engineer:	Drawn:

Title : Assembly

Drawing NO.	Part NO.			
210-014-211-ALL				
Unit:	Scale:	Size	Rev.	Sheet
mm	1:1	A4	01	